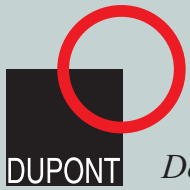


Optimo Confort



Des produits à vivre

One wheelchair,
multiple configurations
and sizes



OPTIMO Confort,
The smart wheelchair

MOBILY[®]
www.dupont-medical.com

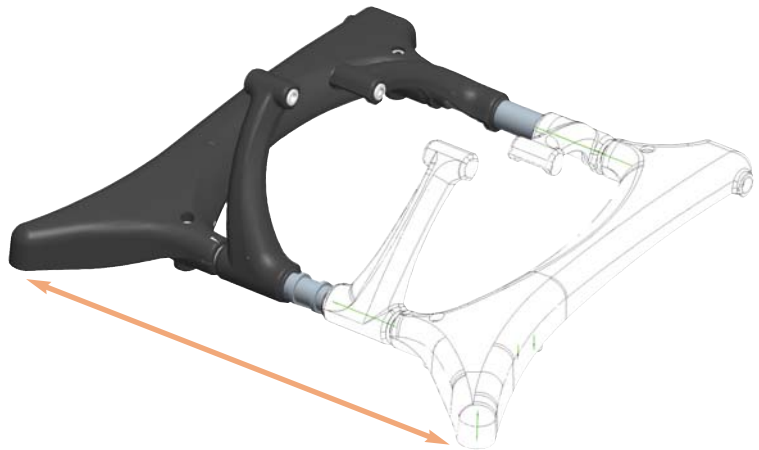
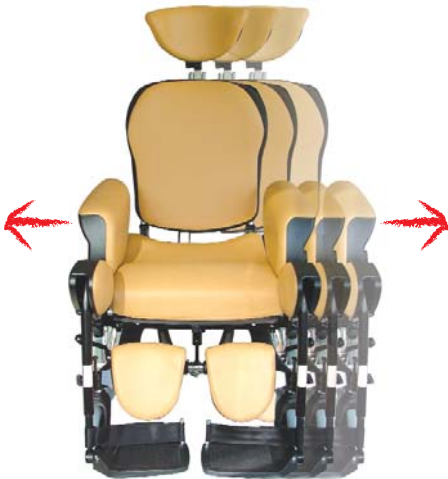


Innovative ideas for the well-being and the safety of the patient as the user.



The seat tilt : the perfect stability in every case

Seat tilt by cylinder with automatic sliding system to the front of the frame, to ensure an **optimal stability** in every case.



Thanks to its **innovative aluminium base frame**, Optimo Confort allows a **continuous adjustment of the seat from 39 to 51 cm**.

The **axles of rotation** of the mobile parts on OPTIMO confort (legrests, backrest) **correspond to the joints** of knees and hips.

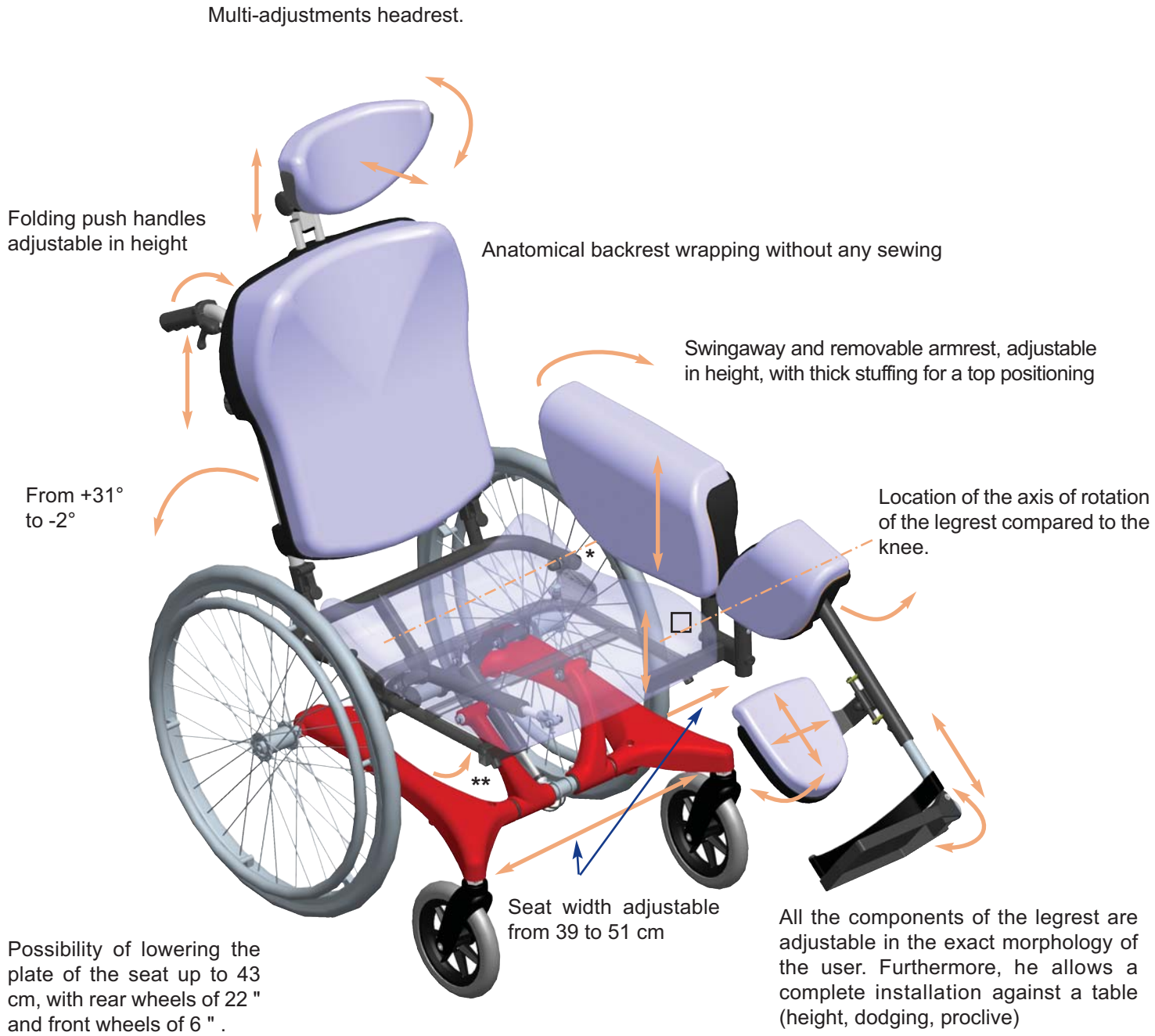


- Very good distribution of the pressures on the whole surface of the body.
- No adjustment of the position of the headrest or the footrests in every change of slope of the backrest or the seat.
- No sliding of the user forwards.
- An absolute comfort for the user.



onomics and its original design.

An important number of possibilities of adjustments and regulations for a perfect adaptability.



* Axis of rotation of the backrest compared to the axis of hips

** Reclining seat from +21° to -4°

□ Adjustable seat depth (44 or 47 cm)

Weight of the whole wheelchair : 32,9 kg, allowing easy movement by the attendant person.



Optimize the upholstery of the wheelchair according to the " patient risk " and to the wished use.



Camel

Blue

Black

Model OPTIMO Confort standard

- Backrest cushion
- Removable seat cushion

XAMPA standard upholstery : elastic, very resistant and without folds, comfortable and aesthetic. No sewing or hard points on the contact areas of upholstery with the patient.



Model OPTIMO Confort "DARTEX"

- Backrest cushion
- Removable seat cushion

Multi-elastic DARTEX upholstery on all the cushions, with a very comfortable "skin" effect. Resistant, waterproof, ventilated and anti-skid cloth; no sewing or hard points on the contact areas of upholstery with the patient

Model OPTIMO Confort "Prevention of the sore"

- The same configuration than OPTIMO confort " DARTEX " above, and
- **Seat cushion in visco-elastic memory shaped foam**





Optimize the configuration of the wheelchair thanks to the numerous proposed options.



Removable **Tray**



Adjustable **trunk supports**



Removable **leg partition**



Removable **anti-tipping castors**



Seat belt



Removable **extensions of hand-brake levers**



I.V. pole



Attendant brakes (24")



OPTIMO Confort can be equipped with small rear wheels (12,5 ").

The OPTIMO Confort wheelchair illustrates the technological leadership of DUPONT MEDICAL, combining innovation with its great experience in comfort wheelchair.

→ **Simple**, the most ingenious solutions are often the simplest.

→ **Functionality**, compact and light (use of aluminium), the OPTIMO CONFORT can be dismantled and folded very quickly without any tool : the transport is easy.

→ **Performances**, the specific location of the rear wheels makes the hand-propelling easier for the user.

→ **Security**, perfect stability of the wheelchair whatever the seat tilt.



→ **Ergonomics**, the OPTIMO CONFORT offers multiple adjustments, respecting the physiological rotating axles of the user.

→ **Adaptability**, this comfort wheelchair is adjustable in width and can be equipped with several options.

→ **Aesthetics**, a fine design integrating the last innovations interms of materials and technology.

The pictures are not contractual, and some components may change for manufacturing or improving purposes.

TECHNICAL SPECIFICATIONS

Frame positions	Seat width	Overall width	Overall length	Armrests height	Seat depth	Floor to seat plate height	Seat tilt	Backrest reclining	Weight	Maximum user's weight
Position A : From size 39 to 45										
	39	66	with LR	22/27	44/47	43*/45,5	-4/+21°	-2/+31°		
	42	66	without LR	22/27	44/47	43*/45,5	-4/+21°	-2/+31°		
	45	66	108 81	22/27	44/47	43*/45,5	-4/+21°	-2/+31°		
Position B : size 48	48	69	108 81	22/27	44/47	43*/45,5	-4/+21°	-2/+31°	32.9 kg	130 kg
	51	72	108 81	22/27	44/47	43*/45,5	-4/+21°	-2/+31°		
Position C : size 51			108 81							

All measurements are in cm

LR = legrests

*Measurements in dropped version

Distributed by:

DUPONT MEDICAL

BP 19 - Site de Ban la Dame - 92 rue du Train à fil
54390 FROUARD - France
Tel. +33 (0)3 83 495 495 - Fax. +33 (0)3 83 495 496
<http://www.dupont-medical.com>